

产品及应用/products applications

- ◆ 适用于开关电源、UPS、自动售货机、绣花机、示波器工业计算机、测量仪器以及工业电气设备、信息技术设备控制器等多种设备
- ◆ 可提供医疗专用产品（B系列）

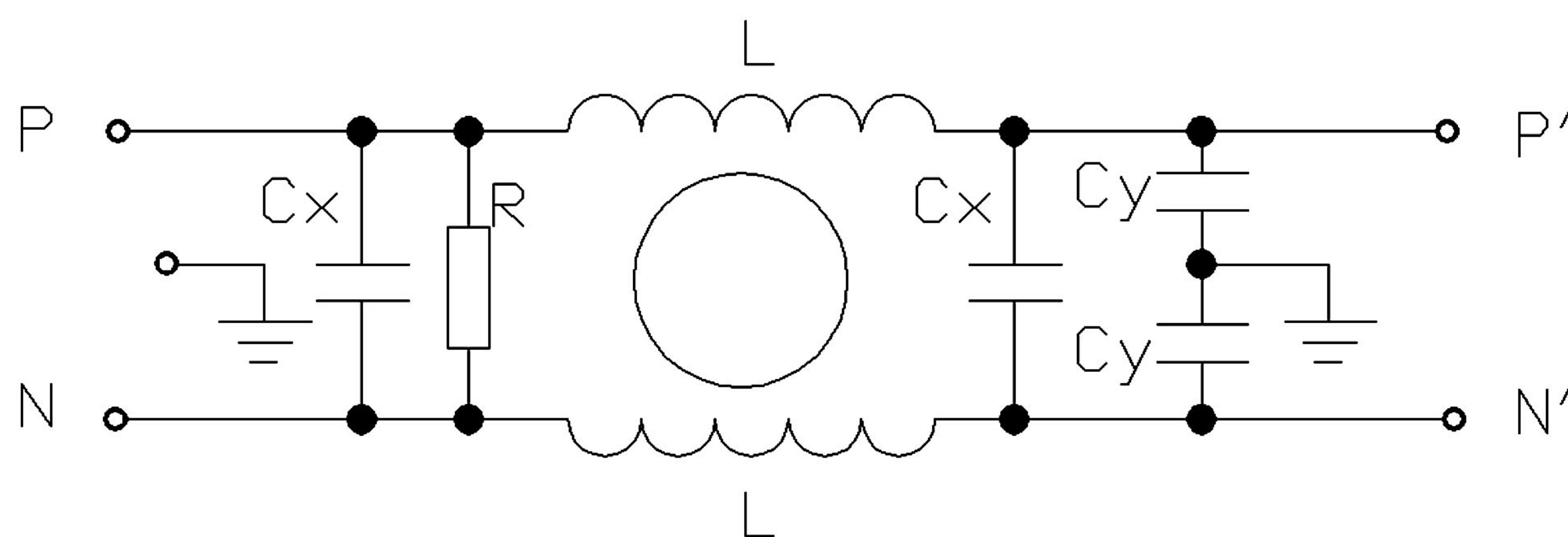


技术参数/Specification

最高工作电压 (VAC)	工作频率 Operating frequency Hz	试验电压 Hipot test voltage		工作温度 Operating temperature	绝缘电阻 Minimum insulation resistance
		P-N(VDC)	PN-E(VAC)		
250	50/60	1760	2000	-25~+85°C	>200M @500VDC

产品型号 FILTER	端接方式 Connections			额定电流 Current rating @40°C A	外形尺寸 Housing	泄漏电流 Leakage current	电路参数 Components				重量 Weight(g)
							L(mH)	Cx(uF)	Cy(nF)	R(MΩ)	
ME210-1	---	---	W	1	D1	≤0.3mA	5.5	0.1	2.2	---	65
ME210-3	---	---	W	3	D1	≤0.3mA	2.5	0.1	2.2	---	65
ME210-6	---	---	W	6	D1	≤0.3mA	0.8	0.1	2.2	---	65
ME210-10	L	M4	---	10	D1/B1/B2	≤0.3mA	1.0	0.22	2.2	1.0	65/120
ME210-20	L	M4	---	20	B1/B2	≤0.3mA	0.4	0.22	2.2	1.0	130
ME210-30	---	M6	---	30	H2	≤0.5mA	0.3	0.22	4.7	0.47	230
ME210-40	---	M6	---	40	H5	≤0.5mA	0.3	0.22	4.7	0.47	230
ME210-50	---	M6	---	50	E2	≤0.5mA	0.25	0.47	4.7	0.22	550
ME210-75	---	M8	---	75	G2	≤1.0mA	0.2	1.0	10	0.22	1100
ME210-100	---	M8	---	100	G2	≤1.0mA	0.18	2.2	10	0.22	1100
ME210-150	---	M10	---	150	N10	≤2.0mA	0.15	4.4	40	0.22	2500
ME210-200	---	M10	---	200	N10	≤2.0mA	0.1	8.8	100	0.22	2500

电路原理图/Circuit Diagram



外型尺寸/Housing and dimensions: (mm)

